

CMP8

POWER RELAY

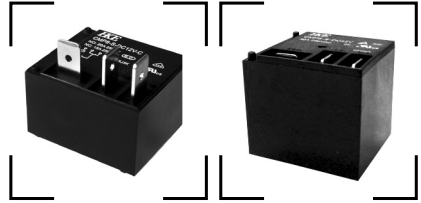
Safety Approval

UL US NO.E164730
C NO.E322395

CQC NO.CQC08002027613

VDE NO.40009646

△ NO.50125643



Features

- Dimension: 31.8×27.4×19.8(mm)
- Switching capacity 30A
- Dielectric strength between coil and contacts: 2.5KV
- PCB or Flat quick connection terminal
- Low dust cover or High dust cover

ORDERING INFORMATION

CMP8 - [S] - [DC12V] - [A]

Model	Enclosure	Coil Voltage	Contact Form
	S-Plastic Sealed Type	DC5V,DC6V,DC9V, DC12V,DC24V,DC48V	A-1 Form A AT-1 Form A(different from 1 form A) C-1 Form C

SPECIFICATION

CONTACT DATA

Contact Form	A-1 Form A,C-1 Form C	
Contact Material	Ag Alloy	
Contact Rating	A: 30A 250VAC/24VDC C: NO: 20A 250VAC/24VDC NC: 15A 250VAC/24VDC	
Contact Resistance	Max.100mΩ(6VDC 1A)	
Load	Max. Switching Voltage	250VAC/24VDC
	Max. Switching Current	30A
	Max. Switching Power	7,500VA,720W
	Min. Switching Load	5VDC,100mA
Life	Electrical	100,000 operations
	Mechanical	10,000,000 operations

COIL DATA

Nominal coil Power	900mW
--------------------	-------

GENERAL DATA

Insulation Resistance	Min.1000MΩ 500VDC	
Dielectric Strength	Between open contacts	1,500VAC,1min
	Between coil and contacts	2,500VAC,1min
Operate time	Max.15ms	
Release time	Max.10ms	
Operating temperature	-40℃ to +85℃	
Humidity	35~95%RH, +40℃	
Shock Resistance	Endurance	1,000m/s ²
	Misoperation	100m/s ²
Vibration Resistance	Endurance	10~55Hz,1.5mm double amplitude
	Misoperation	10~55Hz,1.5mm double amplitude
Weight	Approximately 29.0g	

Note:Initial Value



SAFETY APPROVAL

Certified/File No.	Contact Form	Power Consumption	Coil Voltage	Safety Approval Rating	Remark
TUV 50125643-0001	A/AT	0.9W	5-48VDC	30A 250VAC	Ambient Temperature:85℃
	C	0.9W	5-48VDC	NO/NC:20A/15A 250VAC	
TUV 50125643-0002 (EN 60730-1)	A/AT	0.9W	5-48VDC	30(8)A 250VAC	Ambient Temperature:85℃
	C	0.9W	5-48VDC	NO/NC:20(4)A/15(3)A 250VAC	
VDE 40009646	A	0.9W	5-48VDC	30A 250VAC	Ambient Temperature:70℃
	C	0.9W	5-48VDC	NO: 30A 250VAC NC: 15A 250VAC/24VDC	
	AT	0.9W	5-48VDC	30A 250VAC	Ambient Temperature:85℃
UL E164730	A	0.9W	5-48VDC	30A 250VAC	Insulation class: F
	C	0.9W	5-48VDC	NO/NC:20A/15A 250VAC	Ambient Temperature:85℃
	AT	0.9W	5-48VDC	30A 250VAC	Ambient Temperature:55℃
UL E322395	C	0.9W	5-48VDC	NO:2HP 240VAC NC:1HP 240VAC	Ambient Temperature:85℃
				NO:3/4HP 120VAC NC: 1/4HP 120VAC	Ambient Temperature:85℃ NLDX category
	A	0.9W	5-48VDC	2HP 240VAC 3/4HP 120VAC	Ambient Temperature:85℃ NLDX category
CQC08002027613 (GB/T 21711.1-2008)	A	0.9W	5-48VDC	30A 250VAC	Ambient Temperature:85℃
	C	0.9W	5-48VDC	NO/NC:20/15A 250VAC	

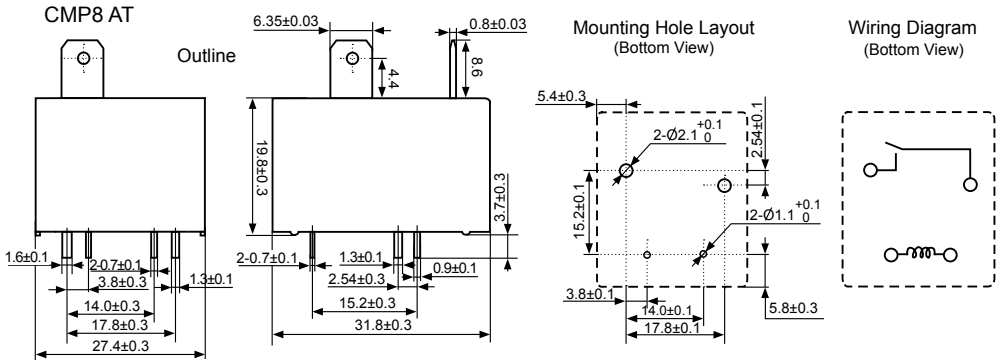
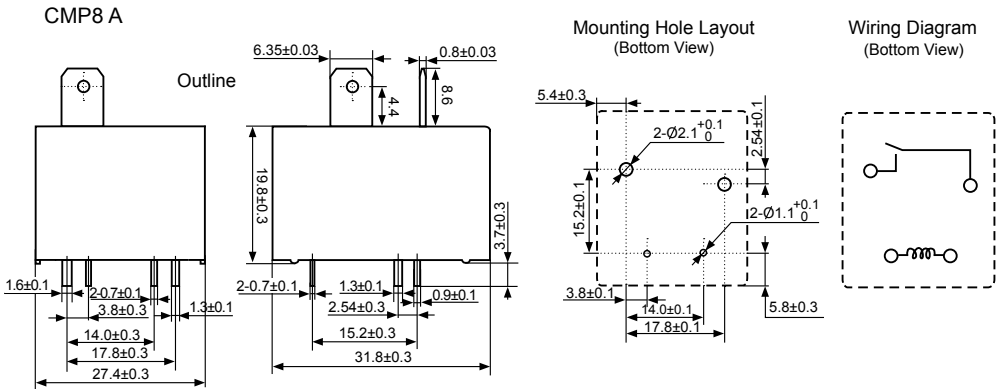
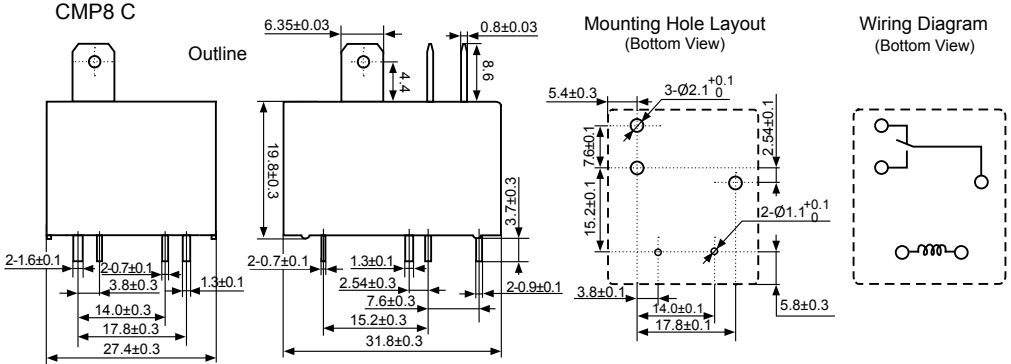
Remark: All above information regarding safety approval subject to change, please contact HKE for update.

COIL DATA

Ambient Temperature:23℃

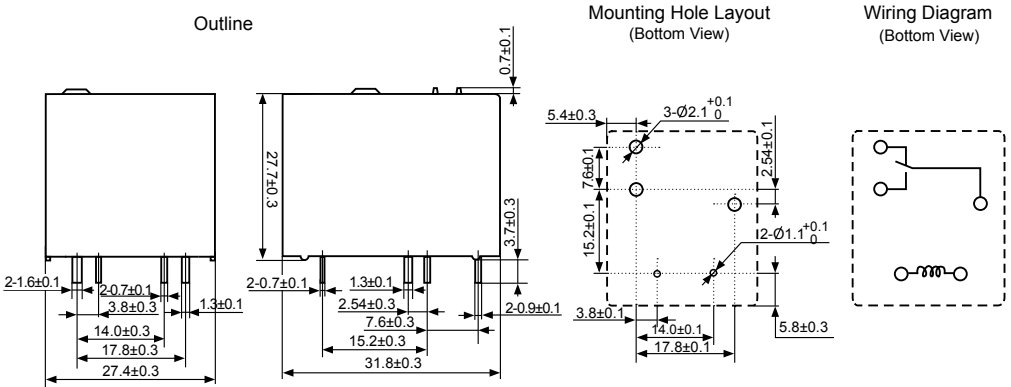
Model	Nominal Voltage VDC	Coil Resistance $\Omega \pm 10\%$	Operate Voltage \leq VDC	Release Voltage \geq VDC	Coil Power mW
CMP8-S-DC5V	5	27.8	3.5	0.5	900
CMP8-S-DC6V	6	40.0	4.2	0.6	
CMP8-S-DC9V	9	90.0	6.3	0.9	
CMP8-S-DC12V	12	160	8.4	1.2	
CMP8-S-DC24V	24	640	16.8	2.4	
CMP8-S-DC48V	48	2560	33.6	4.8	

OUTLINE, WIRING DIAGRAM, MOUNTING HOLE LAYOUT (UNIT: mm)

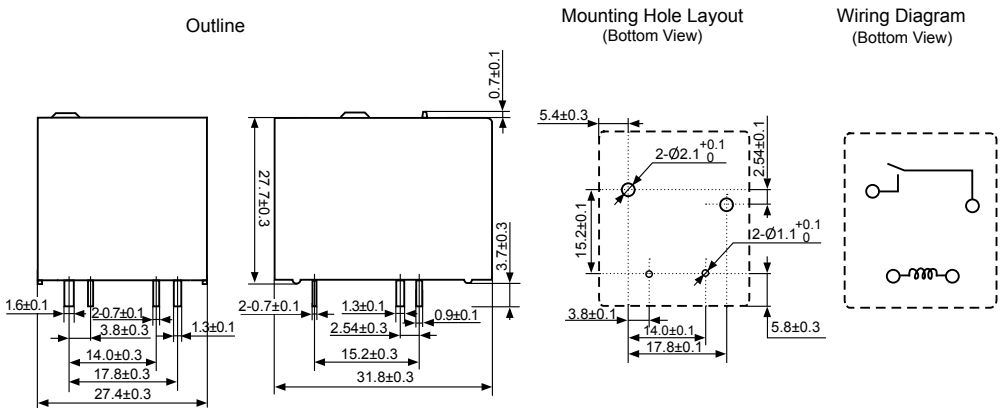


OUTLINE, WIRING DIAGRAM, MOUNTING HOLE LAYOUT (UNIT: mm)

CMP8(High dust cover) C

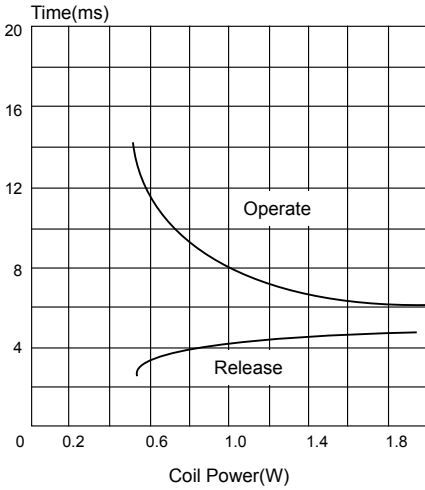


CMP8(High dust cover) A

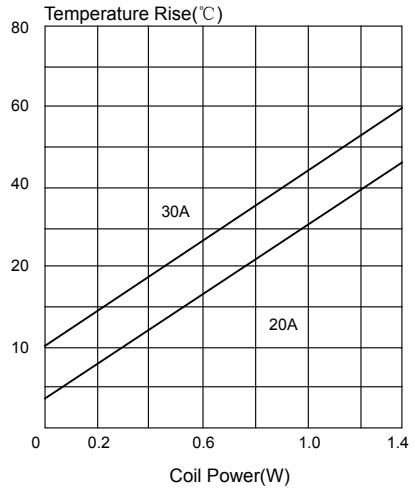


CHARACTERISTIC CHART DATA

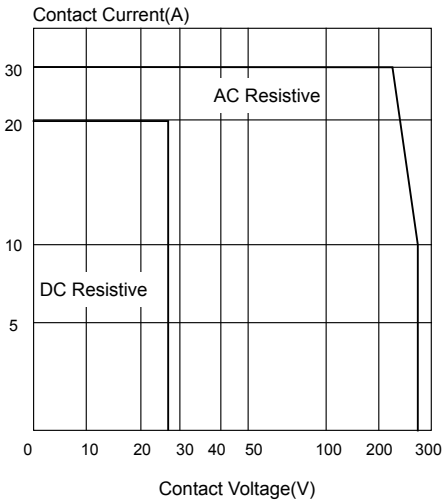
Timing



Coil Temperature Rise



Max. Switching Power



Life Curves

